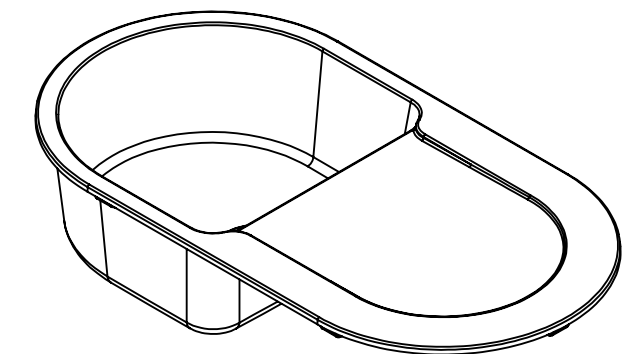
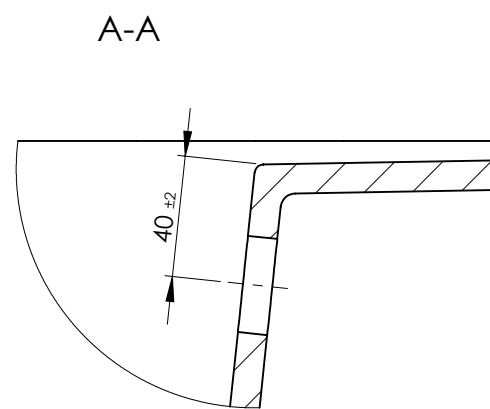
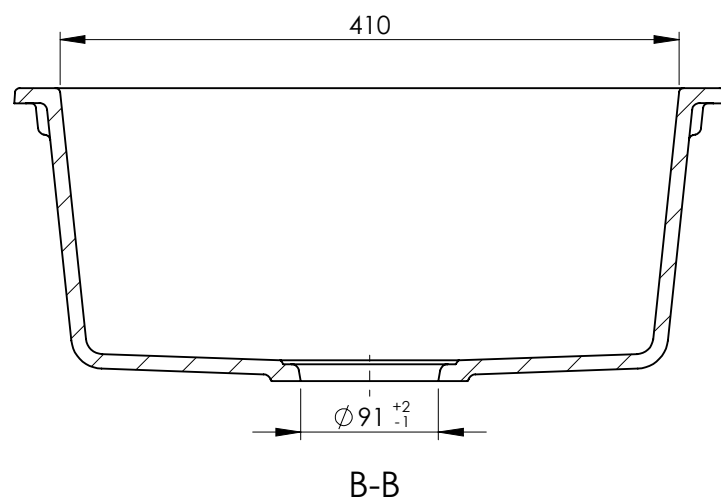
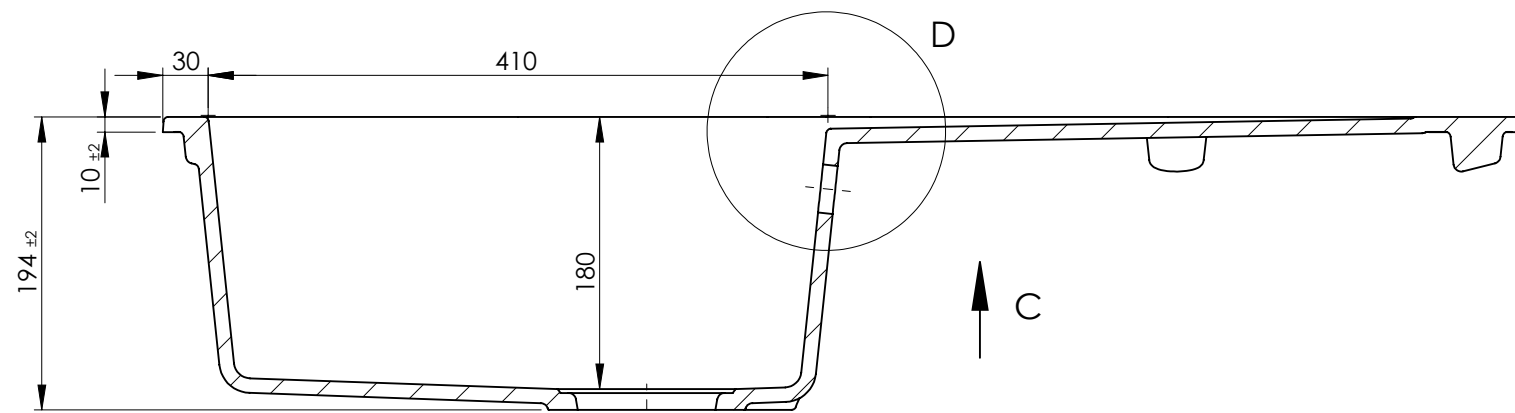
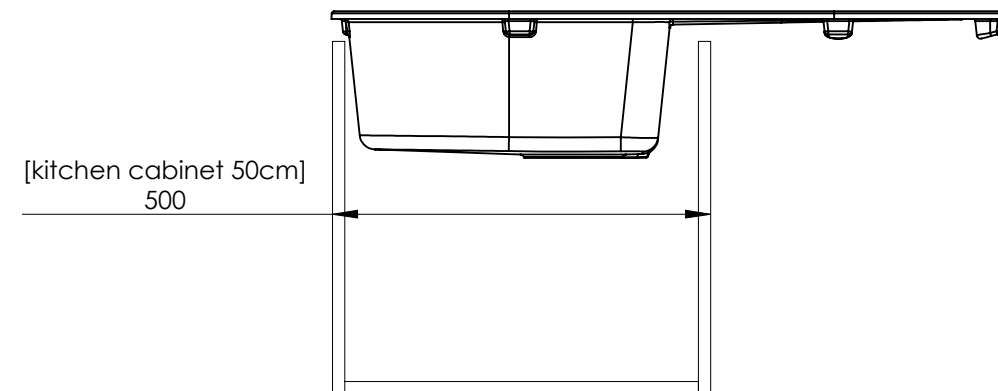


VIEW C



Attention:  
1. Shell thickness 10mm.

Constructed		N.Gąsiorowski		Date		2020-06-19		Material: Composite							
Drawn		P.Mordaka		Date		2020-07-23		Standard: PN-EN 695 PN-EN 13310 Dimension not tolerated according to the standard ISO 2768-1-v							
Checked				Signature				Volume		Mass		Scale		Format	
Approved				Signature				5890 cm <sup>3</sup>		13 kg		1:5		A3	
				Zakład Produkcyjny <b>WAGRAN Sp. z o.o.</b> 97-200 Tomaszów Maz. ul. Spalska 103/105				Name: Rosa 1KO - Handlowy							
								Number: ZYRx71FNS - 003							